



POPULAR WOODWORKING BOOKS

Thank you for your purchase from Popular Woodworking.

To get more great information about woodworking,
please visit our site at www.popularwoodworking.com.

Learn about magazines, books, DVDs and more,
all focusing on woodworking.



f
I W ©

F+W PUBLICATIONS, INC.

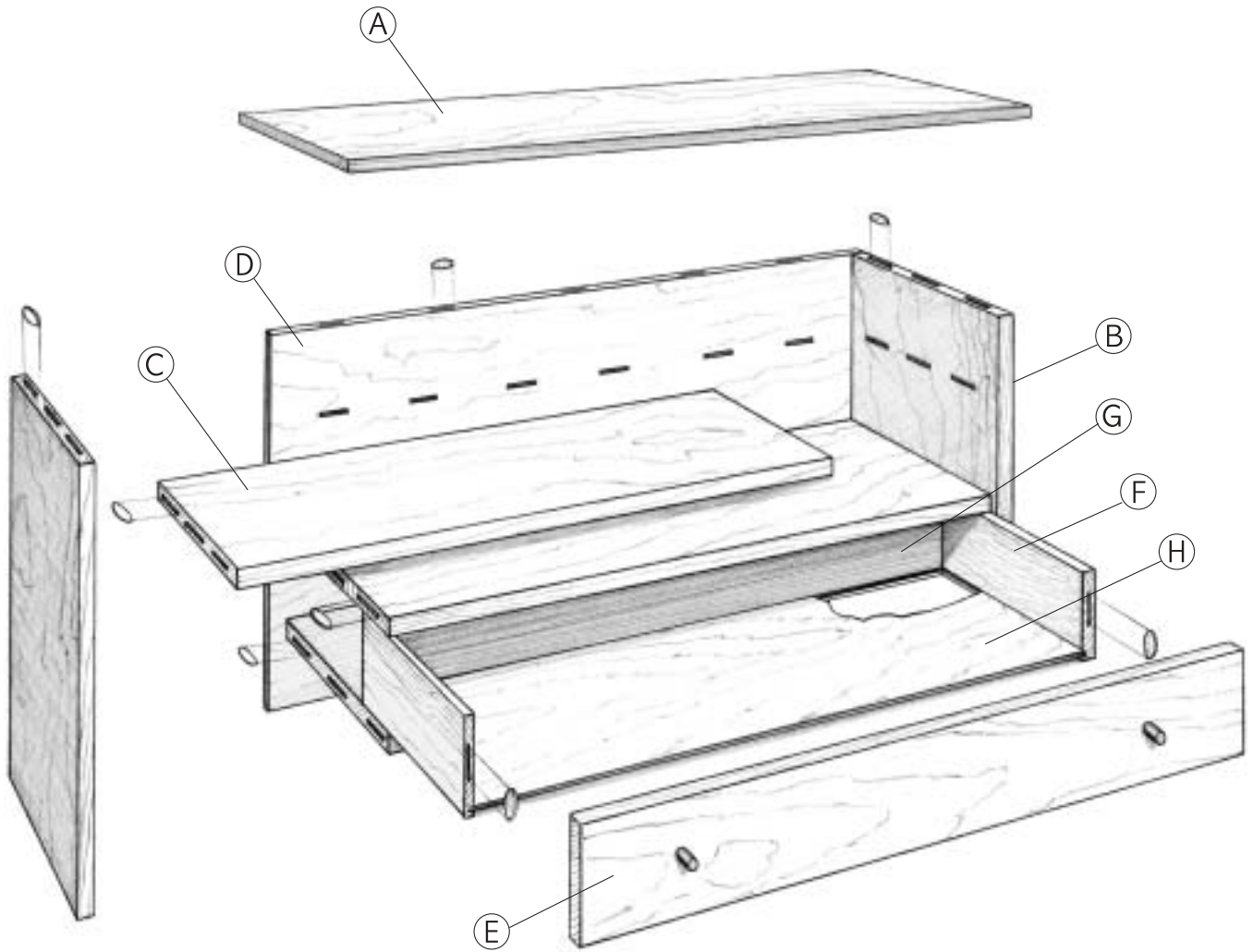
curly maple DESKTOP ORGANIZER

If you're like me, keeping things organized is a challenge. This project will help you create a place to store a few things, therefore keeping your desktop a little neater. This organizer is made of curly maple, which makes the piece visually attractive. The basics of biscuit joinery are all that are needed to build this project. The shelf unit is assembled with biscuits, as is the drawer. Before final assembly, all the parts are sanded and finished.



fw[©]

F+W PUBLICATIONS, INC.



F+W PUBLICATIONS, INC.

CUTTING LIST (INCHES) • curly maple desktop organizer

REF.	QTY.	PART	STOCK	THICKNESS	WIDTH	LENGTH	COMMENTS
A	1	Top	Curly Maple	3/4	10	30	
B	2	Sides	Curly Maple	3/4	9 3/4	17 1/4	
C	3	Shelves	Curly Maple	3/4	8 3/4	26 1/2	
D	1	Back	Birch Ply	3/4	14 1/4	27 1/2	
E	1	Drawer Front	Curly Maple	3/4	3	26 1/2	
F	2	Drawer Sides	Maple	1/2	3	7 3/4	
G	1	Drawer Back	Maple	1/2	2 1/4	25 1/2	
H	1	Drawer Bottom	Luan Ply	1/4	8	26	
J	2	Pulls	Oak Dowel	3/4 diameter		1	

CUTTING LIST (MILLIMETERS) • curly maple desktop organizer

REF.	QTY.	PART	STOCK	THICKNESS	WIDTH	LENGTH	COMMENTS
A	1	Top	Curly Maple	19	254	762	
B	2	Sides	Curly Maple	19	248	438	
C	3	Shelves	Curly Maple	19	222	673	
D	1	Back	Birch Ply	19	362	699	
E	1	Drawer Front	Curly Maple	19	76	673	
F	2	Drawer Sides	Maple	13	76	197	
G	1	Drawer Back	Maple	13	57	648	
H	1	Drawer Bottom	Luan Ply	6	203	660	
J	2	Pulls	Oak Dowel	19 diameter		25	



F+W PUBLICATIONS, INC.



- 1** Lay the two side panels side by side and cut all the biscuit slots at the same time. This will ensure that the shelves will be level and the project will be square when assembled.



- 2** Lay the shelves faceup on a flat surface when cutting the slots. The bottoms of the shelves will then be located correctly with the slots that have been cut in the sides.



- 3** Stand the top on its back edge and cut the slots that line up with the back panel. Next, cut the slots in the top where the sides will attach to the top, using the layout square. To locate the slots, dry assemble the base of the project and measure the distance between the slots in the tops of the sides. Transfer this measurement to the top panel, making sure the top will be centered on the base.

fw[©]

F+W PUBLICATIONS, INC.



- 4** | After the slots have been cut and you've determined that the parts fit together properly, finish sand all the parts. Cover the slots with masking tape, and finish the parts.



- 5** | To keep the finish out of the slots, cover them with tape.



- 6** | Let the finish cure overnight, then assemble the project. (You will find it easier to clean up any glue that oozes out of the joints, because the unit was finished prior to assembly.)



- 7** | The back is screwed to the base. Note that the screw is inserted at a slight angle so it won't cause a bulge on the inside of the project.



- 8** | Glue the top in place.



- 9** | Detail of drawer and white oak $\frac{3}{4}$ " dowel pull. Any wooden dowel would make a nice, simple pull for the drawer. For construction details of the drawer, see the sidebar "Making a Drawer Using Biscuit Joinery."

fw

F+W PUBLICATIONS, INC.

Making a Drawer Using Biscuit Joinery



Step 1 Lay out all the drawer parts in order, and label using an orienting triangle. Remember that the drawer sides will capture the front and back when the drawer is assembled.



Step 2 Mark the location of the biscuits and cut the slots in the front and back parts. When making drawers, use the largest biscuits you can.



Step 3 Cut the slots into the sides.



Step 4 Assemble the drawer. You can either use a captured bottom (as shown here) or cut the bottom of the back part off. The bottom can then be slid into the assembled drawer after the drawer and bottom have been finished.

F+W PUBLICATIONS, INC.